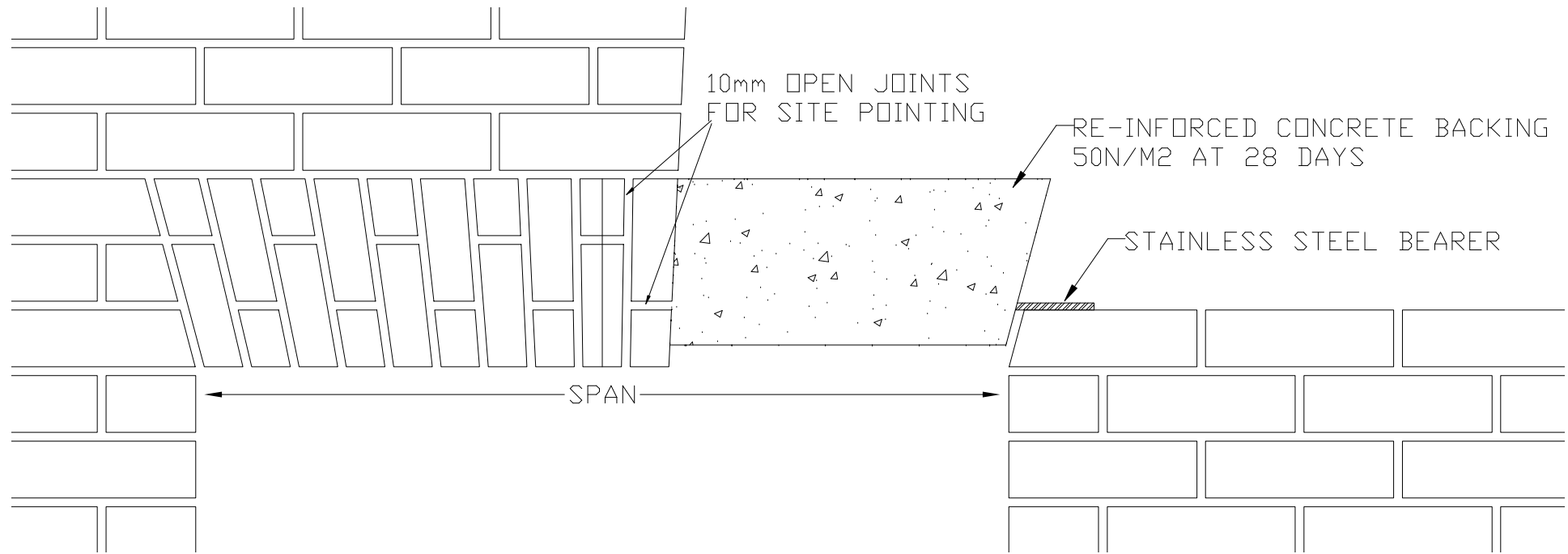
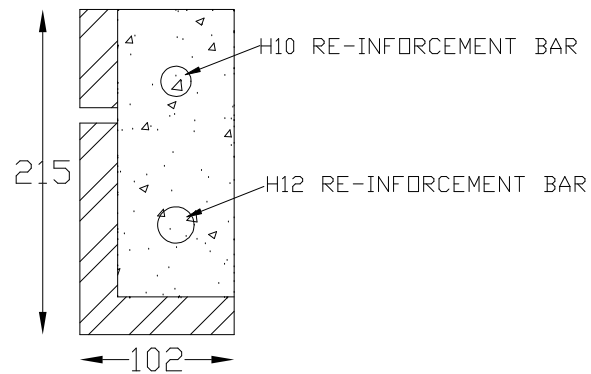


THE INFORMATION SHOWN ON THIS DRAWING IS SENT IN CONFIDENCE AND MUST NOT BE USED FOR ANY PURPOSE OTHER THAN THAT FOR WHICH IT IS SUPPLIED.
REFER ANY OMISSIONS OR ERRORS TO PHOENIX BUILDING PRODUCTS LTD DO NOT SCALE DRAWING. ALL DIMENSIONS IN MILLIMETRES.
MODIFY ON C.A.D ONLY.

ELEVATION & CUT-AWAY



SECTION AT CENTRE



PROJECT:
.
.
.
DRWG TITLE:
.
.
.
DATE: | SCALE: .
.
DRWG NO: .