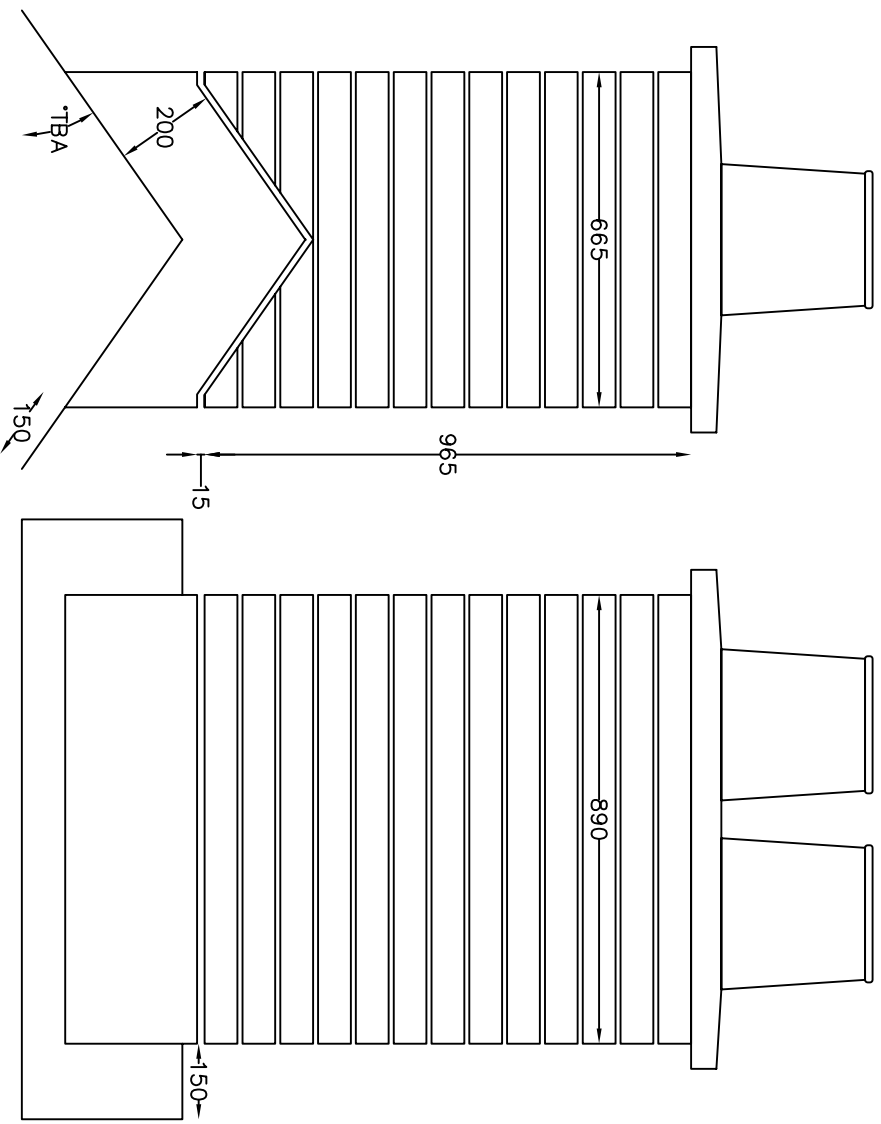


THE INFORMATION SHOWN ON THIS DRAWING IS SENT IN CONFIDENCE AND MUST NOT BE USED FOR ANY PURPOSE OTHER THAN THAT FOR WHICH IT IS SUPPLIED. REFER ANY OMISSIONS OR ERRORS TO PHOENIX BUILDING PRODUCTS LTD. DO NOT SCALE DRAWING. ALL DIMENSIONS IN MILLIMETRES. MODIFY ON CAD ONLY.

MID RIDGE HAVISHAM



PROJECT:
PHOENIX BUILDING PRODUCTS LTD

DRWG TITLE:
PREBARICATED CHIMNEY
MID RIDGE HAVISHAM

DATE: 19-11-2009 | **SCALE:** 1:15/A4

DRWG NO: HAWMR-1

